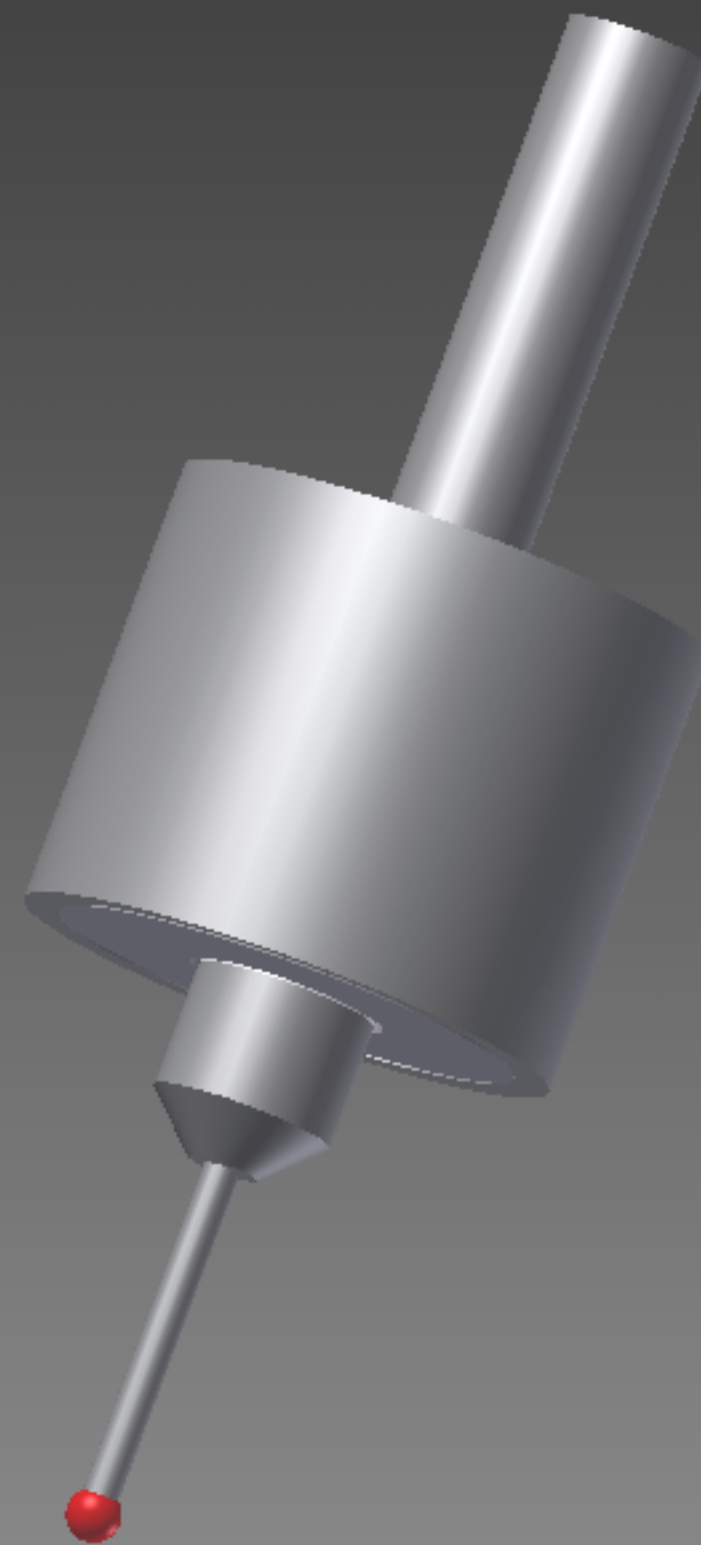


www.RoboCNC.nl



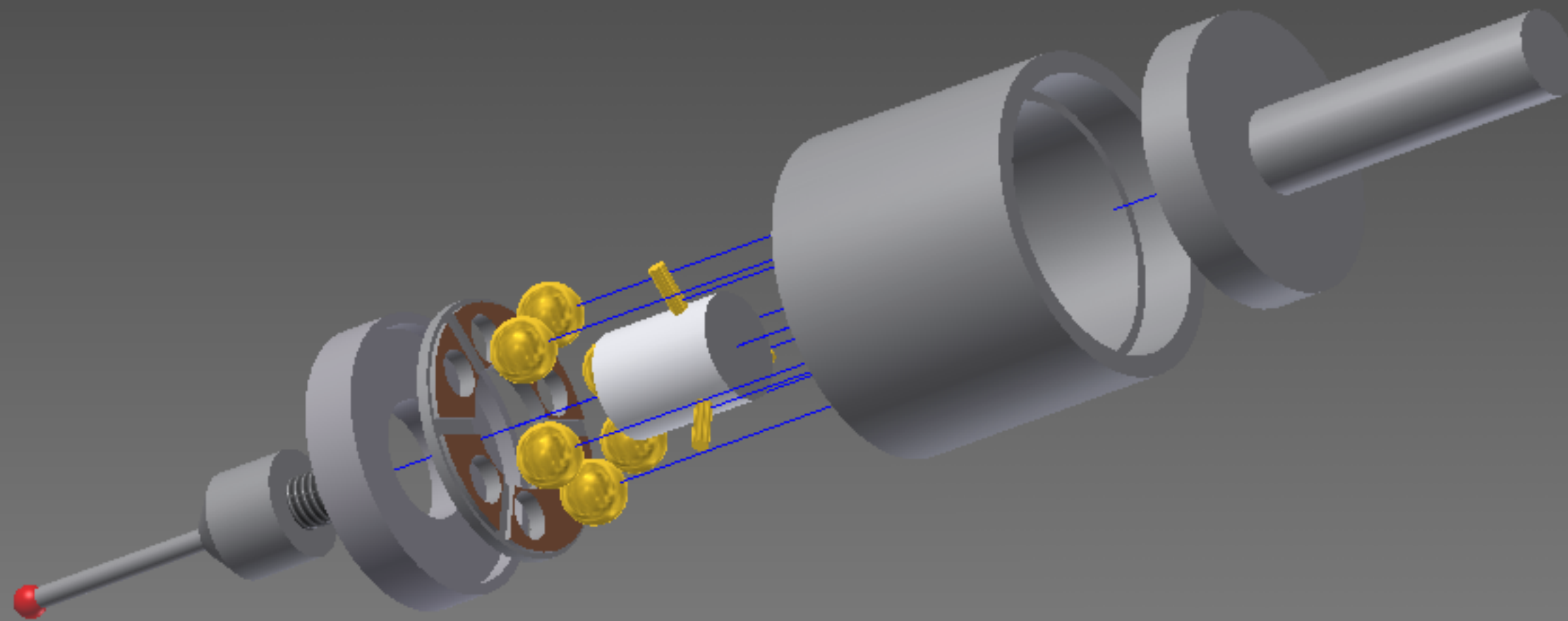
All drawings in this pdf can be used free of charge.

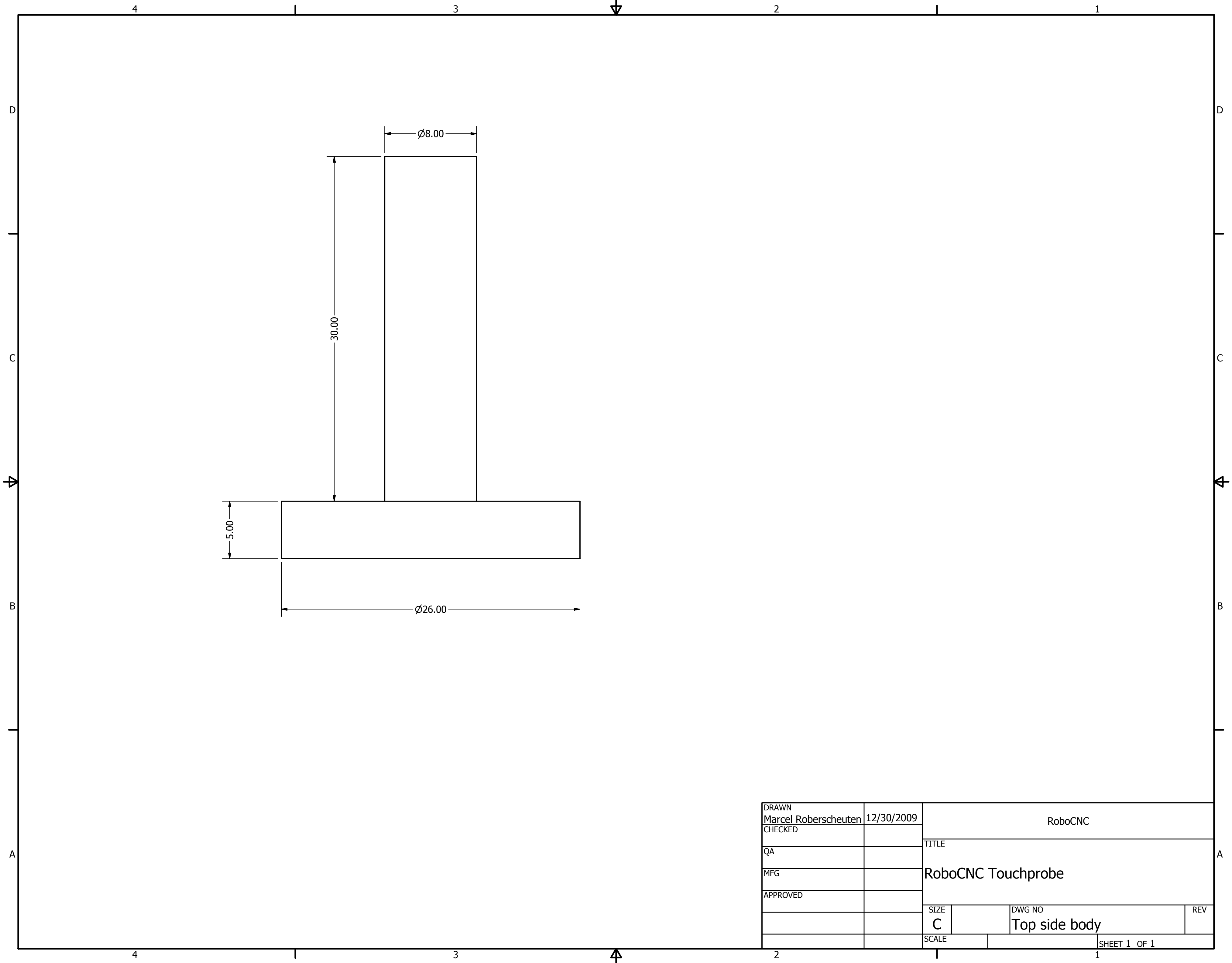
Please do link back to www.RoboCNC.nl when used on your website.

Hope to find some YouTube movies one day with the RoboCNC touchprobe in it.



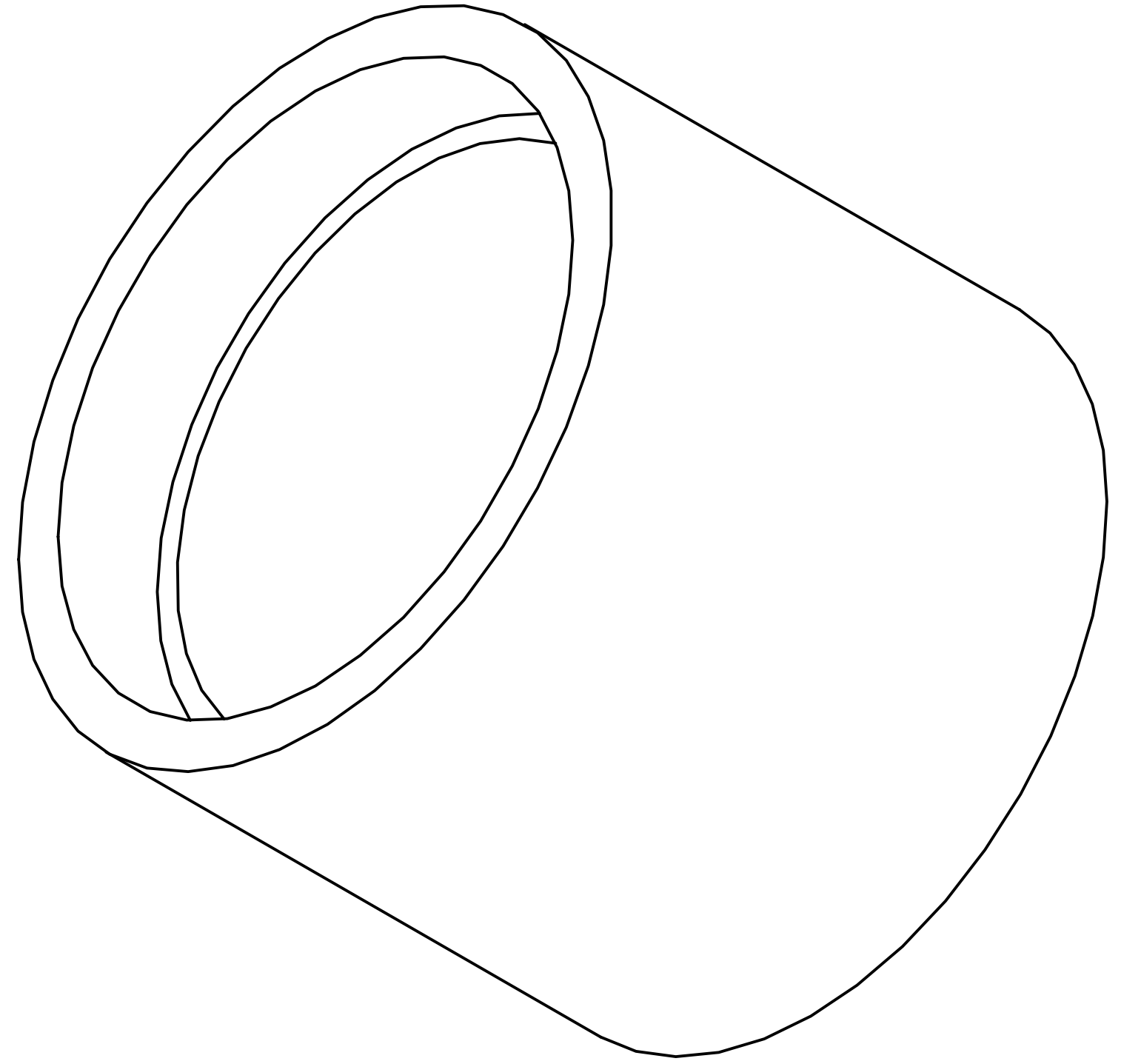
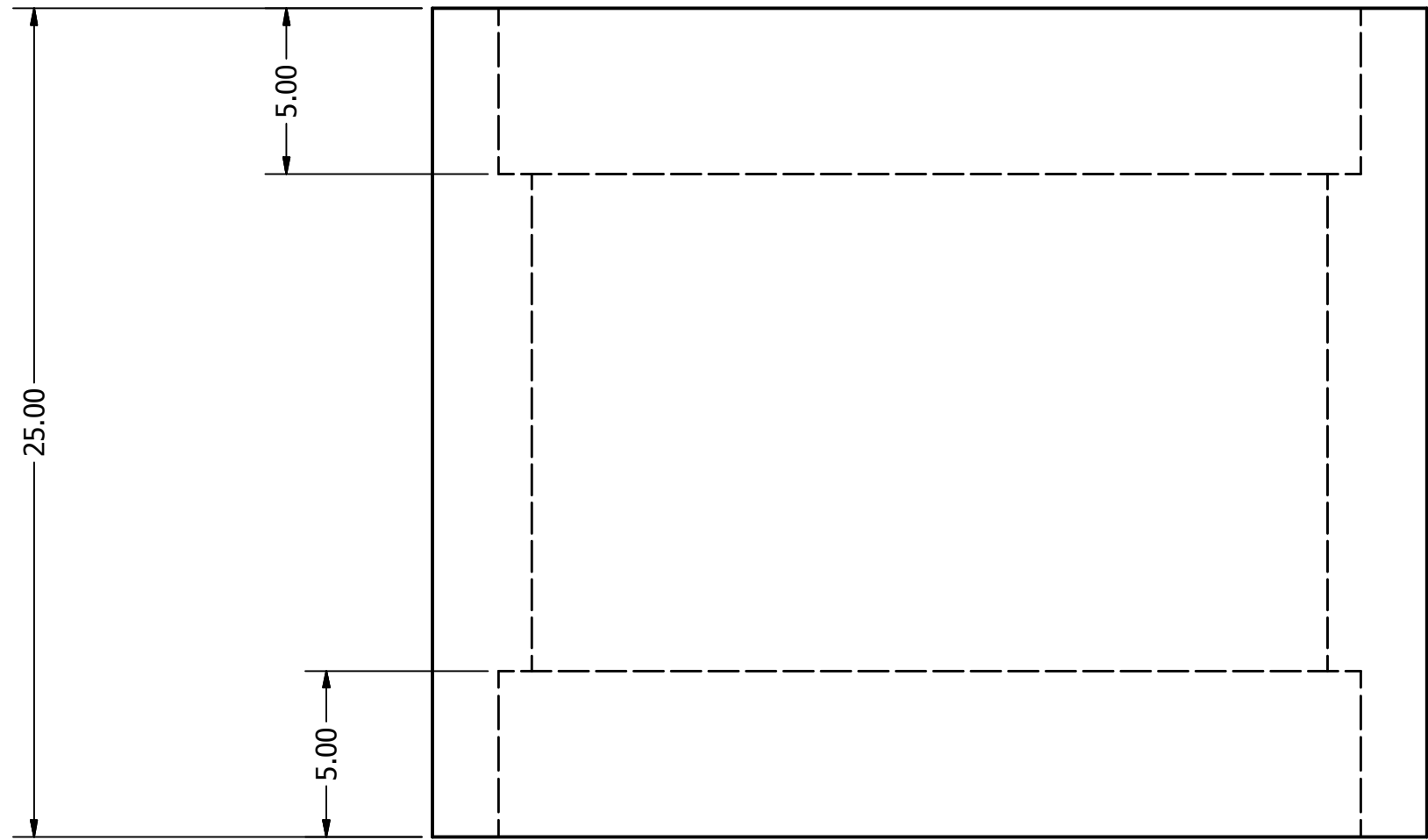
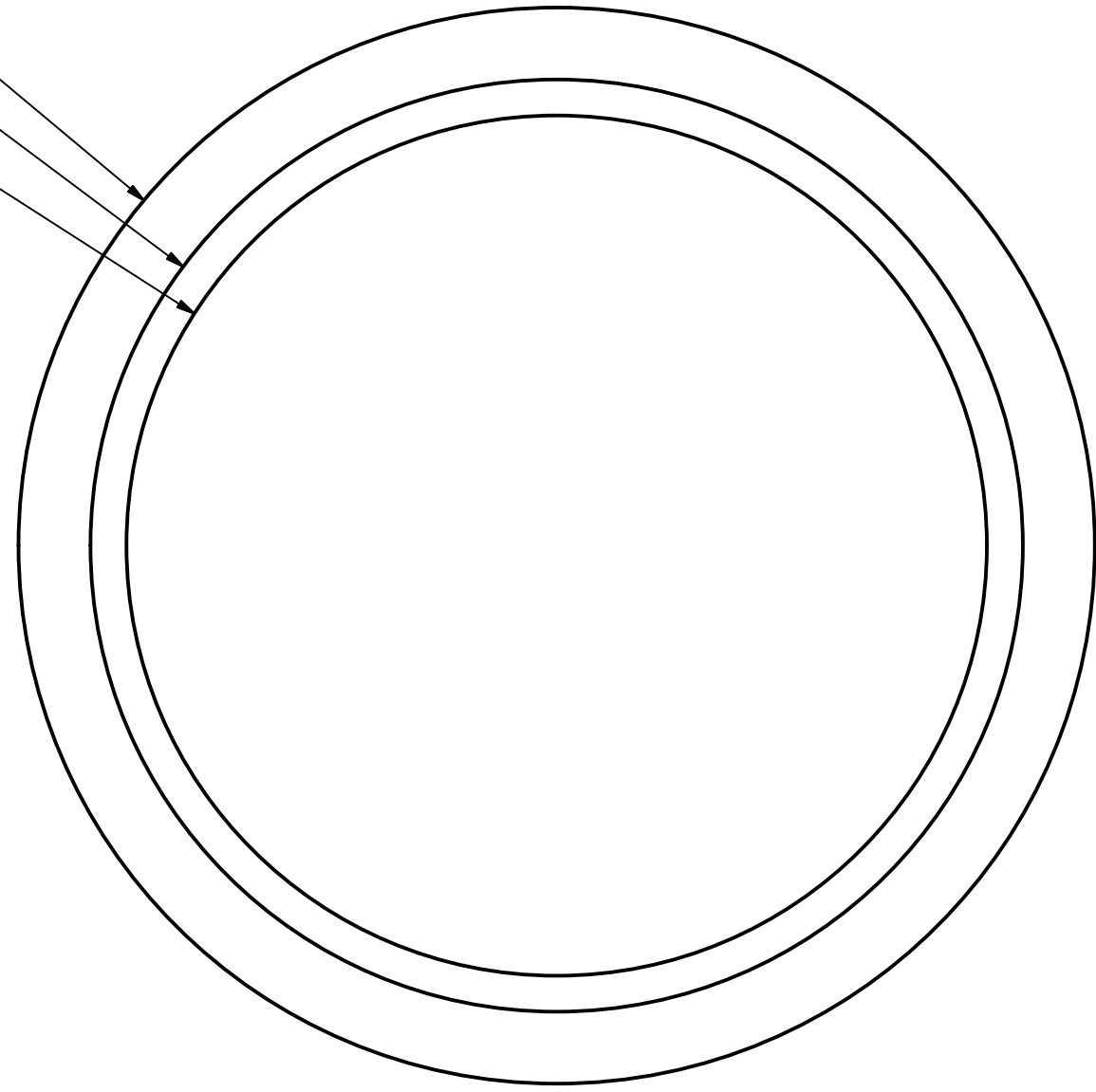
www.RoboCNC.nl



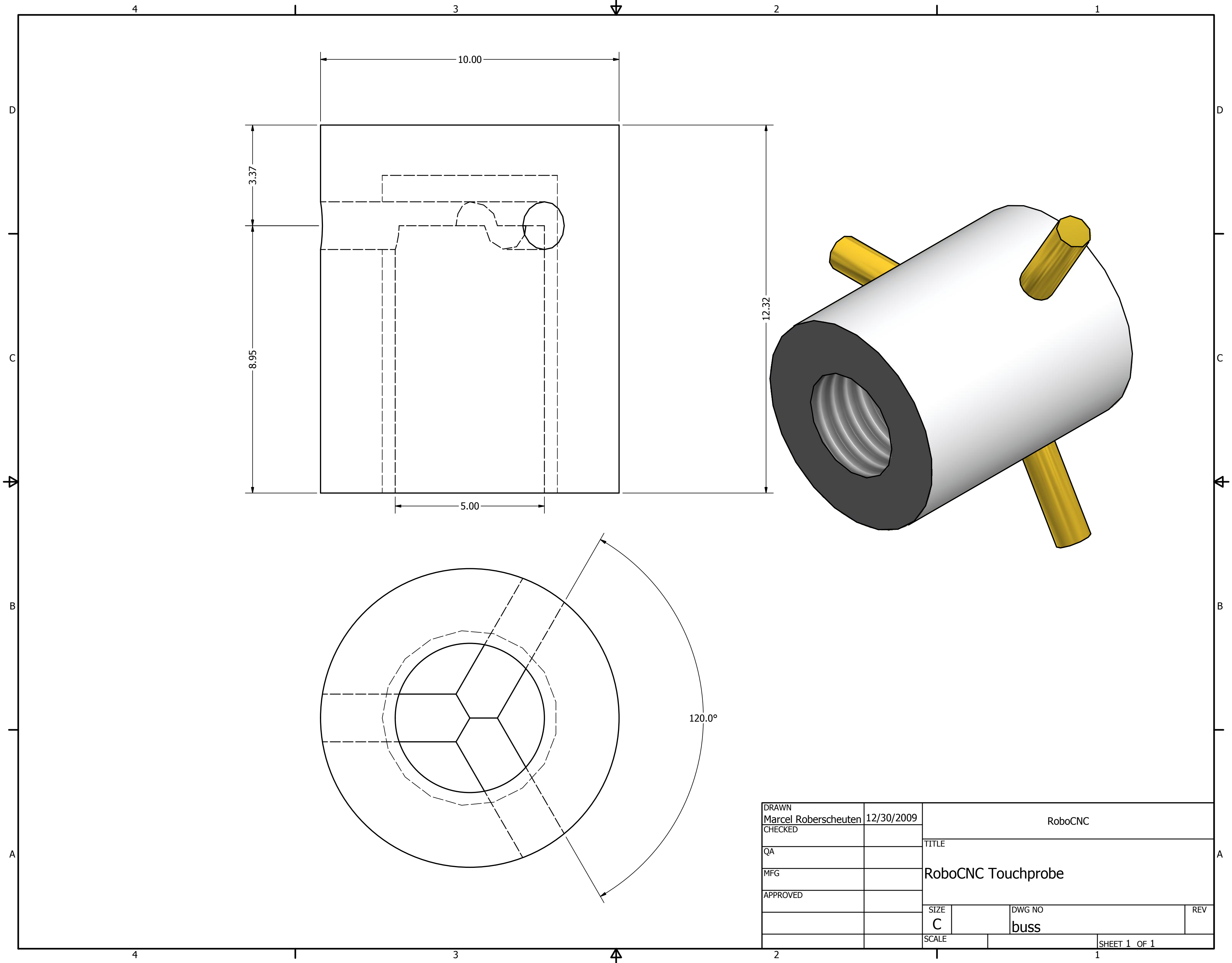


DRAWN Marcel Roberscheuten	12/30/2009	RoboCNC		
CHECKED		TITLE		
QA		RoboCNC Touchprobe		
MFG		SIZE	DWG NO	REV
APPROVED		C	Top side body	
		SCALE	SHEET 1 OF 1	

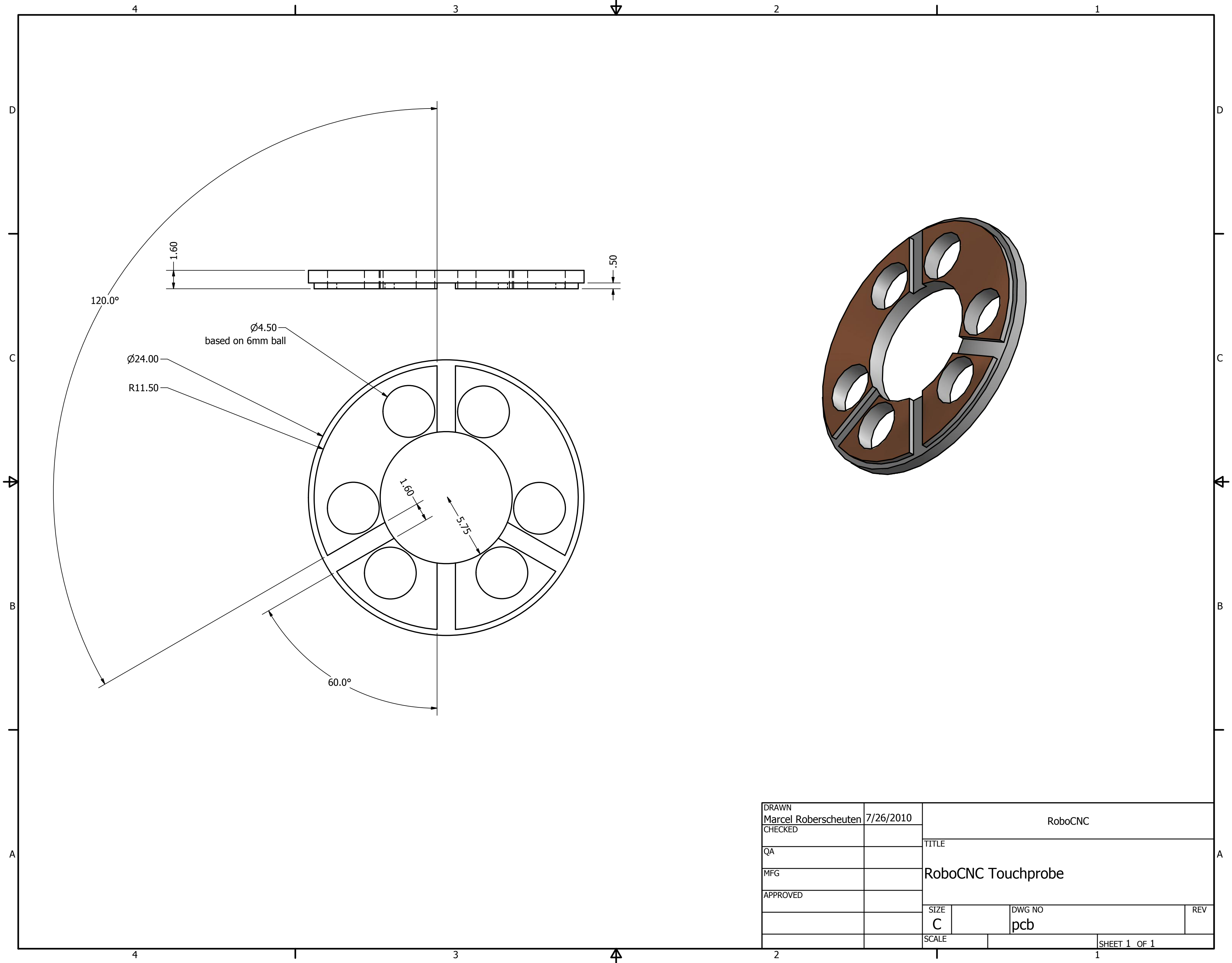
Ø30.00
 Ø26.00
 Ø24.00



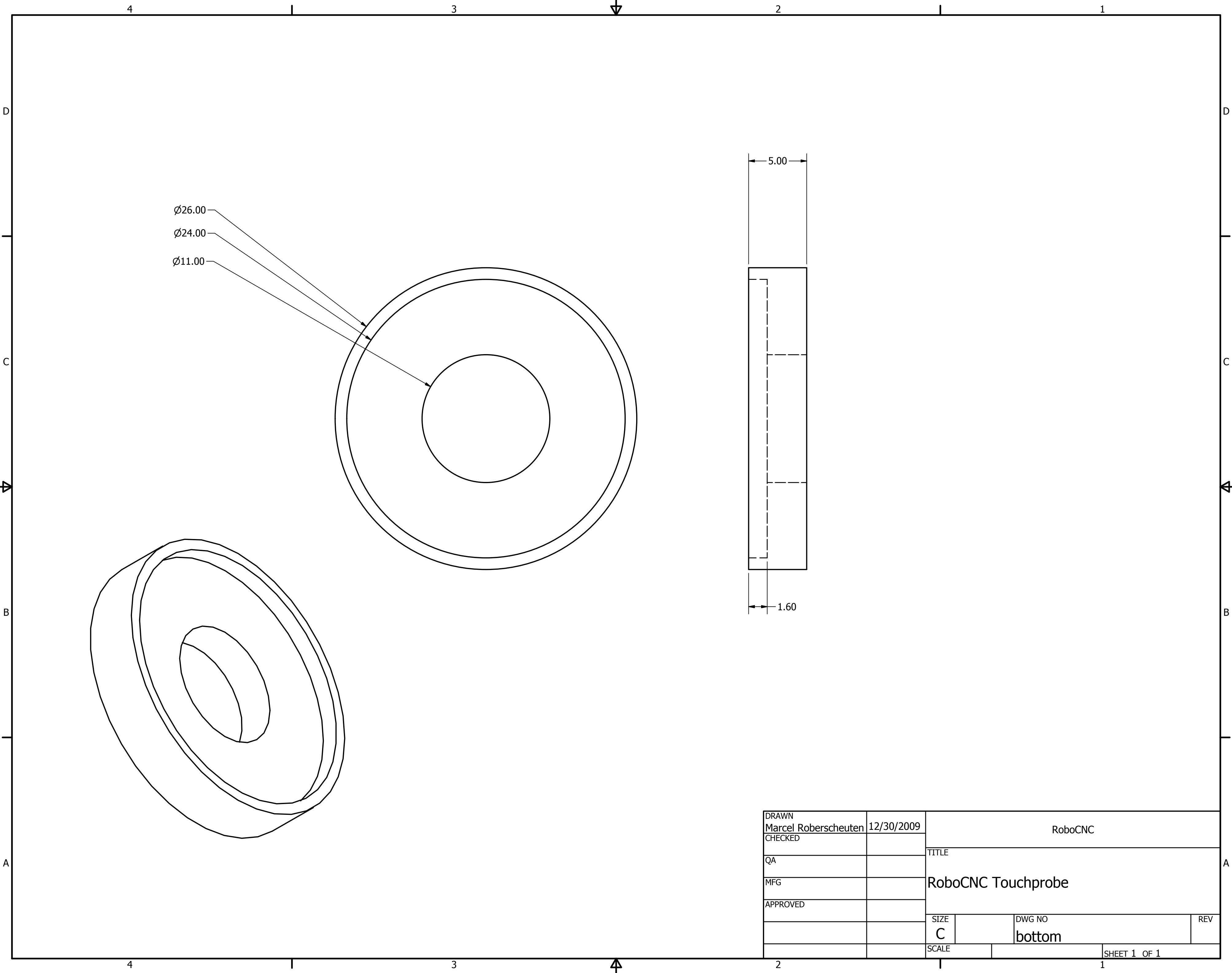
DRAWN Marcel Roberscheuten	12/31/2009	RoboCNC		
CHECKED		TITLE		
QA		RoboCNC Touchprobe		
MFG		SIZE	DWG NO	REV
APPROVED		C	body	
		SCALE	SHEET 1 OF 1	



DRAWN	Marcel Roberscheuten	12/30/2009	RoboCNC		
CHECKED			TITLE		
QA			RoboCNC Touchprobe		
MFG			SIZE	DWG NO	REV
APPROVED			C	buss	
			SCALE	SHEET 1 OF 1	



DRAWN	Marcel Roberscheuten	7/26/2010	RoboCNC		
CHECKED			TITLE		
QA			RoboCNC Touchprobe		
MFG			SIZE	DWG NO	REV
APPROVED			C	pcb	
			SCALE	SHEET 1 OF 1	



Ø26.00

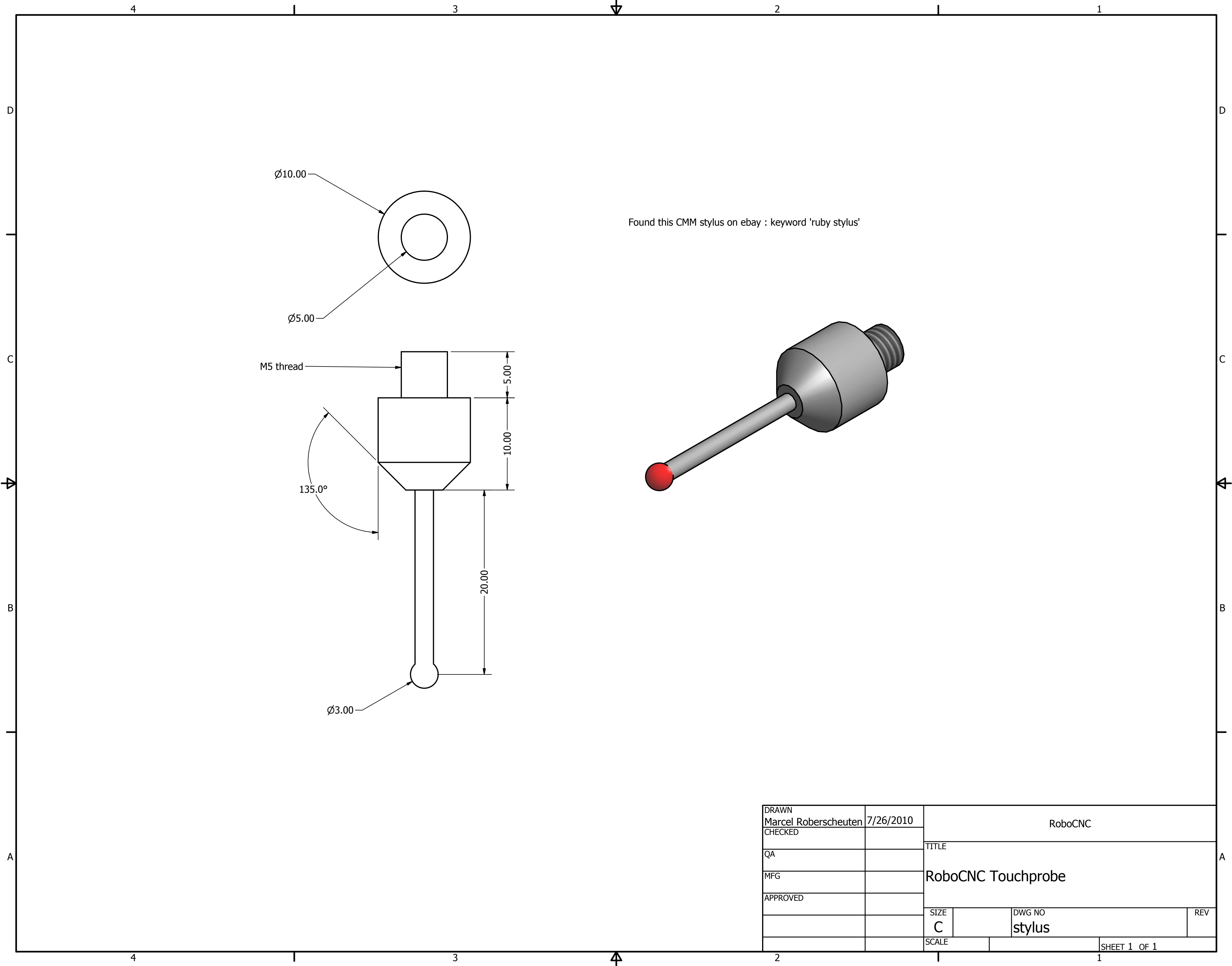
Ø24.00

Ø11.00

5.00

1.60

DRAWN	Marcel Roberscheuten	12/30/2009	RoboCNC		
CHECKED			TITLE		
QA			RoboCNC Touchprobe		
MFG			SIZE	DWG NO	REV
APPROVED			C	bottom	
			SCALE	SHEET 1 OF 1	



DRAWN Marcel Roberscheuten	7/26/2010	RoboCNC		
CHECKED		TITLE		
QA		RoboCNC Touchprobe		
MFG		SIZE	DWG NO	REV
APPROVED		C	stylus	
		SCALE	SHEET 1 OF 1	