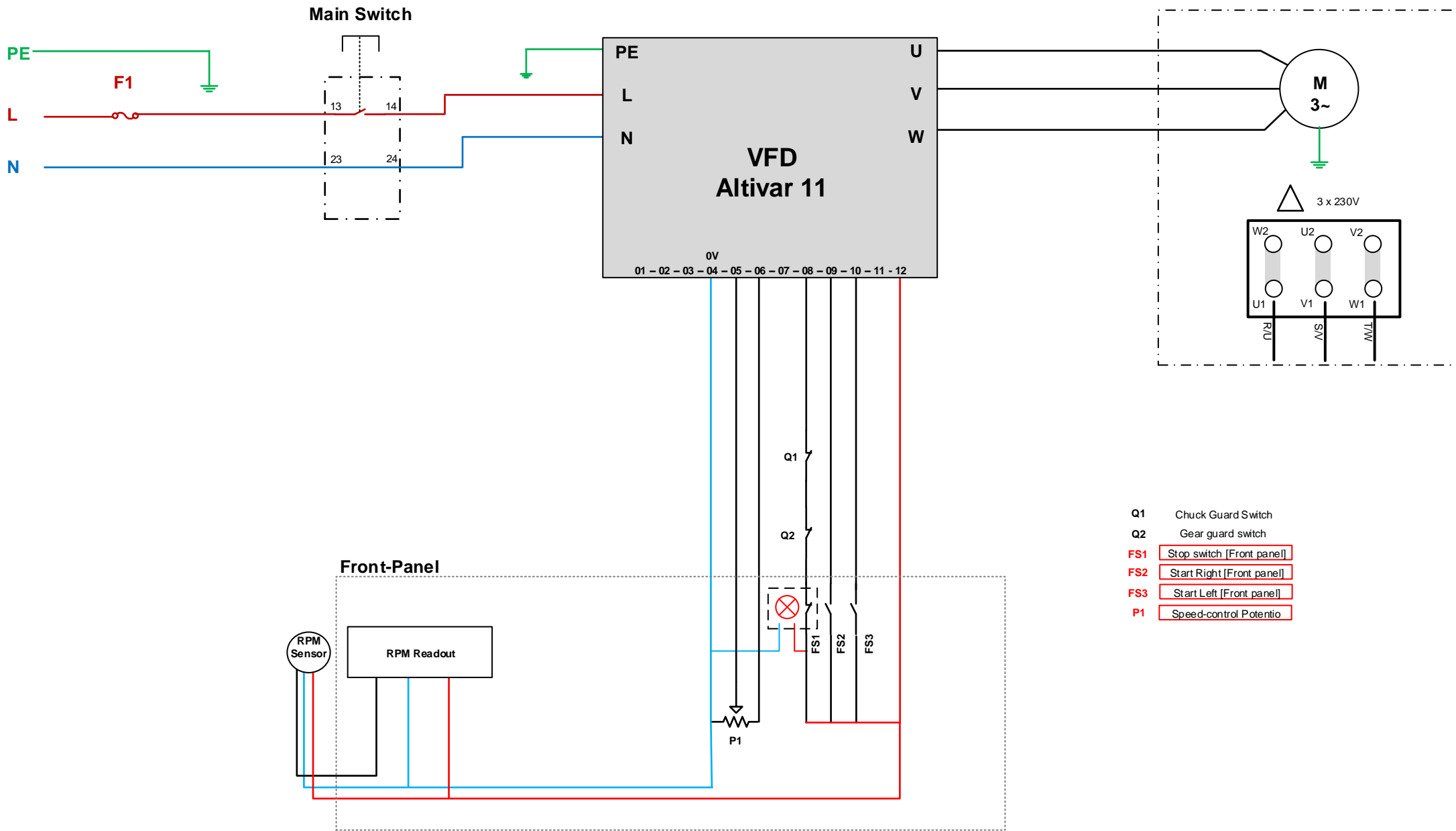


Robo Lathe



- Q1 Chuck Guard Switch
- Q2 Gear guard switch
- FS1 Stop switch [Front panel]
- FS2 Start Right [Front panel]
- FS3 Start Left [Front panel]
- P1 Speed-control Potentio